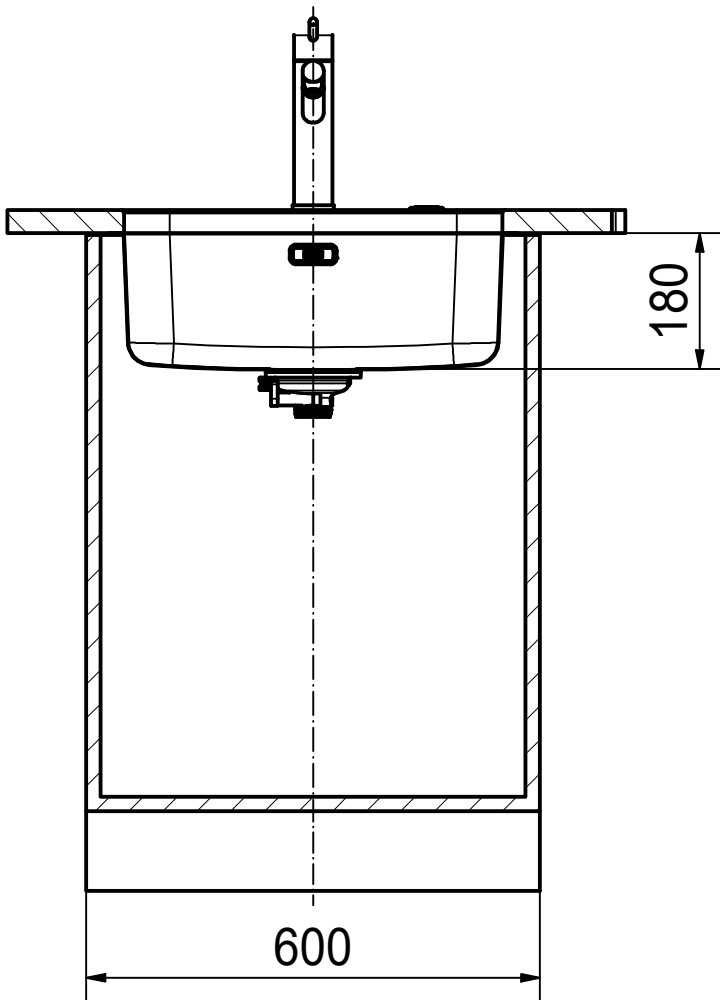


DF



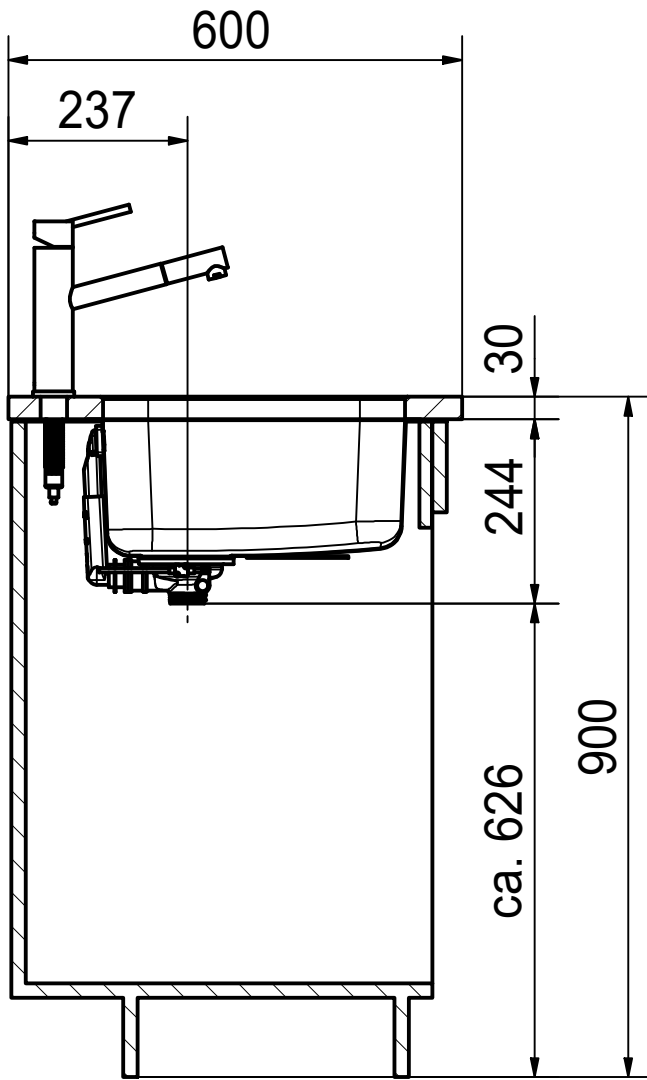
Drawing No.	20242558_02	Revision	A
Drawn Date	13.09.2022		
These drawings and specifications are the property of Franke Technology and Trademark Ltd., Hergiswil, Switzerland.			



SRX 110-50 SI
installing document

Sheet	Sheets
1	6

DS



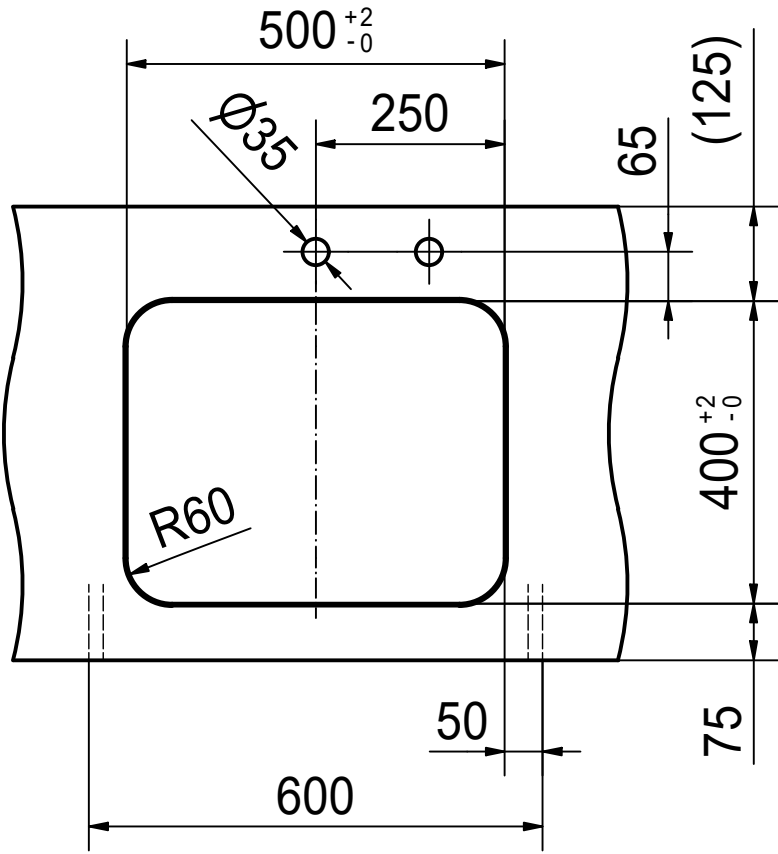
Drawing No.	20242558_02	Revision	A
Drawn Date	13.09.2022		
These drawings and specifications are the property of Franke Technology and Trademark Ltd., Hergiswil, Switzerland.			



SRX 110-50 SI
installing document

Sheet	Sheets
2	6

CO



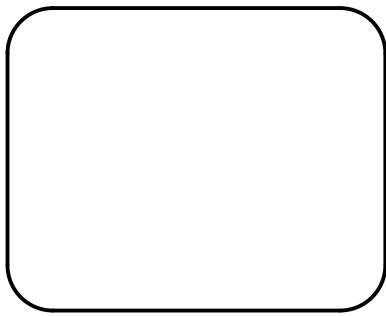
Drawing No.	20242558_02	Revision	A
Drawn Date	13.09.2022		
These drawings and specifications are the property of Franke Technology and Trademark Ltd., Hergiswil, Switzerland.			



SRX 110-50 SI
installing document

Sheet	Sheets
3	6

CNC



Drawing No. 20242558_02 Revision A

Drawn Date 13.09.2022

These drawings and specifications are the property of Franke Technology and Trademark Ltd., Hergiswil, Switzerland.

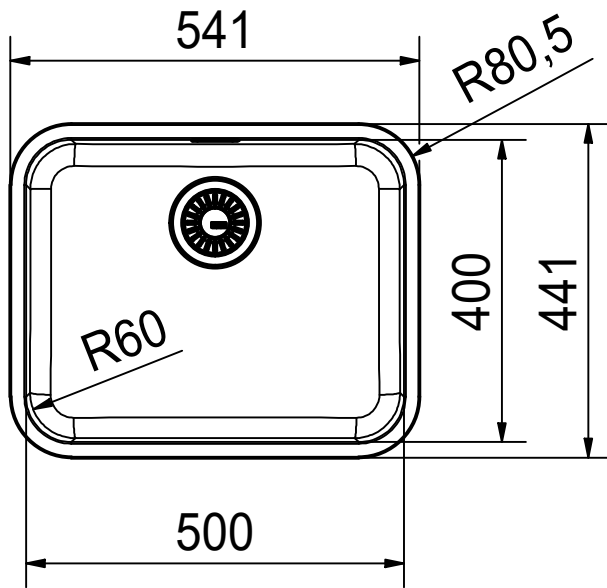


SRX 110-50 SI
installing document

Sheet Sheets

4 6

DT



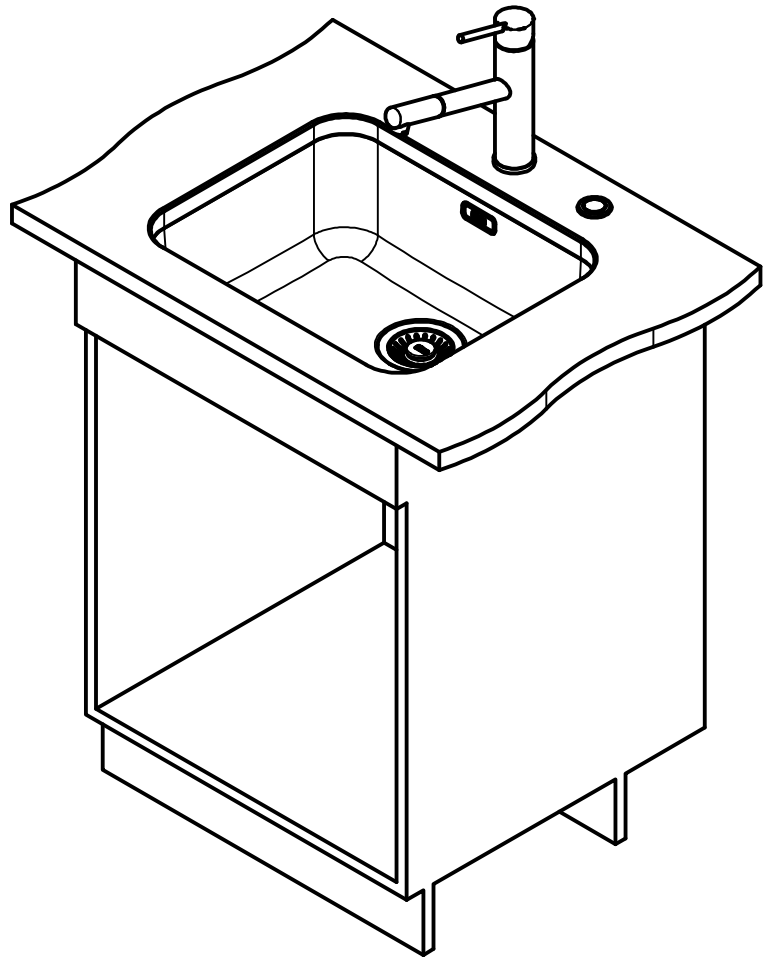
Drawing No.	20242558_02	Revision	A
Drawn Date	13.09.2022		
These drawings and specifications are the property of Franke Technology and Trademark Ltd., Hergiswil, Switzerland.			



SRX 110-50 SI
installing document

Sheet	Sheets
5	6

ISO



Drawing No. 20242558_02 Revision A

Drawn Date 13.09.2022

These drawings and specifications are the property of Franke Technology and Trademark Ltd., Hergiswil, Switzerland.

FRANKE

SRX 110-50 SI
installing document

Sheet Sheets

6 6